

CROFT, LLC.

SERIES 31 HORIZONTAL SLIDING WINDOW (NON-IMPACT) (NON-HVHZ)



P.O. BOX 826
MCCOMB, MS 39649
PH.: 601-684-6121 FX: 601-783-3188

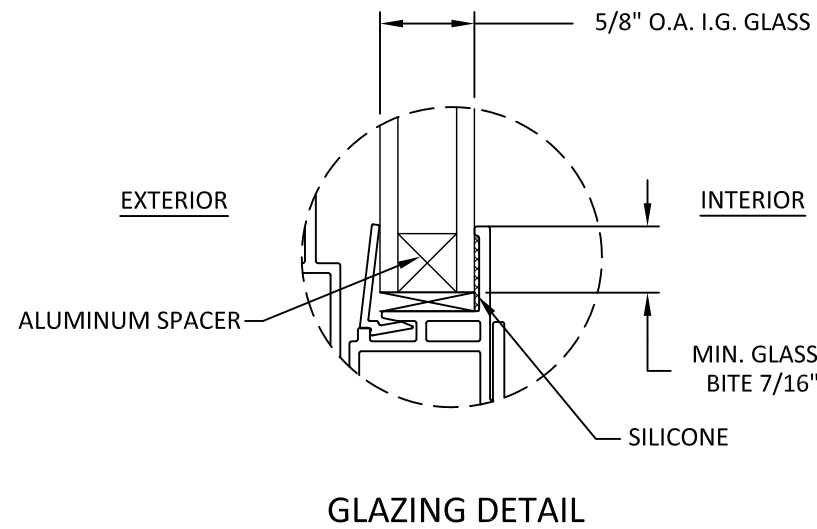
TITLE:
SERIES 31
HORIZONTAL SLIDING WINDOW
(NON-IMPACT) (NON-HVHZ)
GENERAL NOTES & GLAZING DETAIL

PREPARED BY:
BUILDING DROPS, INC.
398 E. DANIA BEACH BLVD., STE. 338
DANIA BEACH, FL 33004
PH: (954)399-8478
FAX: (954)744-4738
WEB: www.buildingdrops.com



GENERAL NOTES:

- THE PRODUCT SHOWN HEREIN IS DESIGNED AND MANUFACTURED TO COMPLY WITH THE CURRENT EDITION FLORIDA BUILDING CODE (FBC), EXCLUDING HVHZ AND HAS BEEN EVALUATED ACCORDING TO THE FOLLOWING:
 - AAMA/WDMA/CSA 101/1.S.2/A440-08
- ADEQUACY OF THE EXISTING STRUCTURAL CONCRETE/MASONRY, 2X FRAMING, AND METAL FRAMING AS A MAIN WIND FORCE RESISTING SYSTEM CAPABLE OF WITHSTANDING AND TRANSFERRING APPLIED PRODUCT LOADS TO THE FOUNDATION IS THE RESPONSIBILITY OF THE ENGINEER OR ARCHITECT OF RECORD FOR THE PROJECT OF INSTALLATION.
- 1X AND 2X BUCKS (WHEN USED) SHALL BE DESIGNED AND ANCHORED TO PROPERLY TRANSFER ALL LOADS TO THE STRUCTURE. BUCK DESIGN AND INSTALLATION IS THE RESPONSIBILITY OF THE ENGINEER OR ARCHITECT OF RECORD FOR THE PROJECT OF INSTALLATION.
- THE INSTALLATION DETAILS DESCRIBED HEREIN ARE GENERIC AND MAY NOT REFLECT ACTUAL CONDITIONS FOR A SPECIFIC SITE. IF SITE CONDITIONS CAUSE INSTALLATION TO DEVIATE FROM THE REQUIREMENTS DETAILED HEREIN, A LICENSED ENGINEER OR ARCHITECT SHALL PREPARE SITE SPECIFIC DOCUMENTS FOR USE WITH THIS DOCUMENT IN NON-HVHZ AREAS.
- APPROVED IMPACT PROTECTIVE SYSTEM **IS REQUIRED** ON THIS PRODUCT IN AREAS REQUIRING IMPACT RESISTANCE.
- WINDOW FRAME MATERIAL: PVC
- GLASS SHALL MEET THE REQUIREMENTS OF ASTM E 1300. SEE SHEET 1 FOR GLAZING DETAILS.

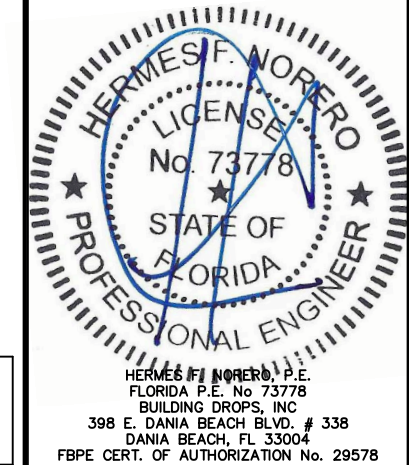


- GLAZING NOTES:**
- GLASS TYPE & THICKNESS SHALL COMPLY WITH ASTM E1300 REQUIREMENTS AS WELL AS APPLICABLE SAFETY GLAZING REQUIREMENTS PER THE FBC. TEMPER AND SAFETY GLAZING REQUIREMENTS SHALL BE REVIEWED ON A SITE SPECIFIC BASIS.
 - SETTING BLOCK DUROMETER HARDNESS OF 70-90 (SHORE A) AS REFERENCED IN FBC CHAPTER 24.
 - SETTING BLOCKS TO BE LOCATED AT 1/4 SPAN LENGTH FOR GLASS WIDER THAN 36" AS PER FBC CHAPTER 24.
 - D.L.O. AND DESIGN PRESSURES MAY NOT EXCEED MAX VALUES IN DESIGN PRESSURE TABLE ON SHEET 1.

| TABLE OF CONTENTS | | |
|-------------------|----------|--|
| SHEET | REVISION | SHEET DESCRIPTION |
| 1 | - | GENERAL NOTES & GLAZING DETAIL |
| 2 | - | ELEVATION & ANCHOR LAYOUT |
| 3 | - | VERTICAL SECTIONS |
| 4 | - | HORIZONTAL SECTION |
| 5 | - | ANCHOR DETAILS, INSTALLATION NOTES & REINFORCEMENT DETAILS |

| MAX OVERALL SIZE | | MAX D.L.O. | | CONFIG. | DESIGN PRESSURE | MISSILE IMPACT RATING |
|------------------|--------|------------|--------|---------|-------------------|-----------------------|
| WIDTH | HEIGHT | WIDTH | HEIGHT | | | |
| 72" | 44" | 32-1/4" | 39" | OX | +20.0 / -20.0 PSF | NON IMPACT |

THE INSTALLATION DETAILS DESCRIBED HEREIN ARE GENERIC AND MAY NOT REFLECT ACTUAL CONDITIONS FOR A SPECIFIC SITE. IF SITE CONDITIONS CAUSE INSTALLATION TO DEVIATE FROM THE REQUIREMENTS DETAILED HEREIN, A LICENSED ENGINEER OR ARCHITECT SHALL PREPARE SITE SPECIFIC DOCUMENTS FOR USE WITH THIS DOCUMENT.



FL #:
FL28822

DATE: **01.11.19**

DWG. BY: **HR** CHK. BY: **HFN**

SCALE: **NTS**

DWG. #: **CRF021**

SHEET
1
OF 5

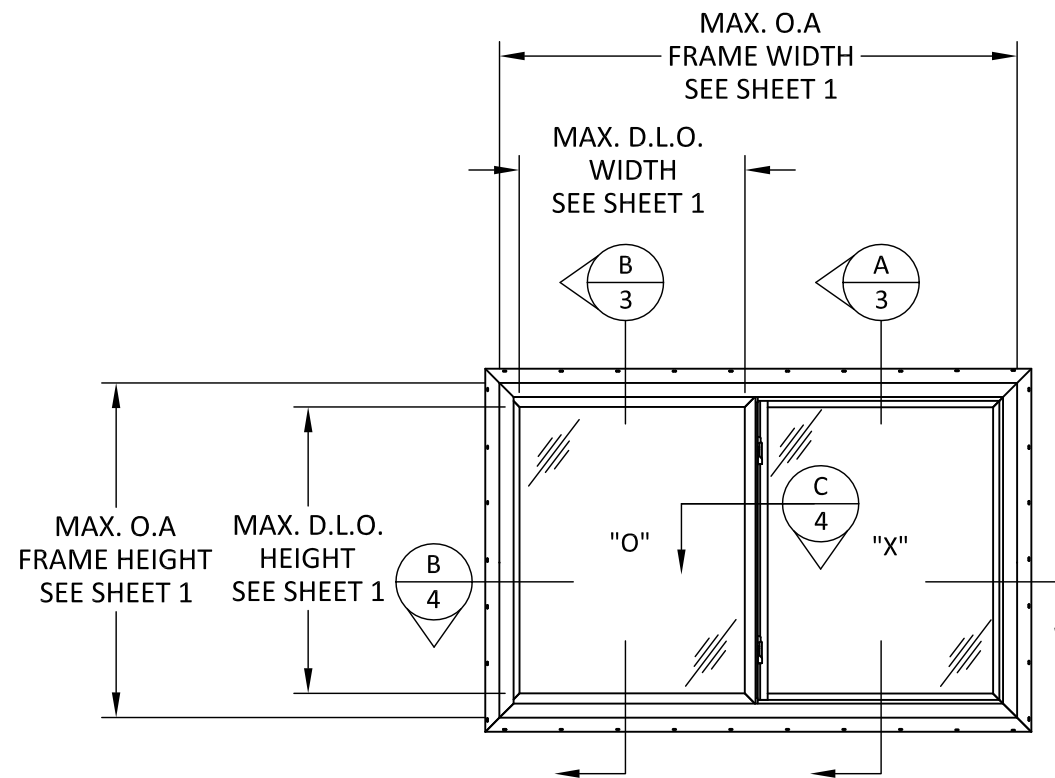
I:\29\2019 3:25 PM
s:\projects\croft lic\fbc-19-0110 - series 31 horizontal sliding window.dwg:series 31\series 31\series 31 fixed picture window.dwg



P.O. BOX 826
 MCCOMB, MS 39649
 PH.: 601-684-6121 FX: 601-783-3188

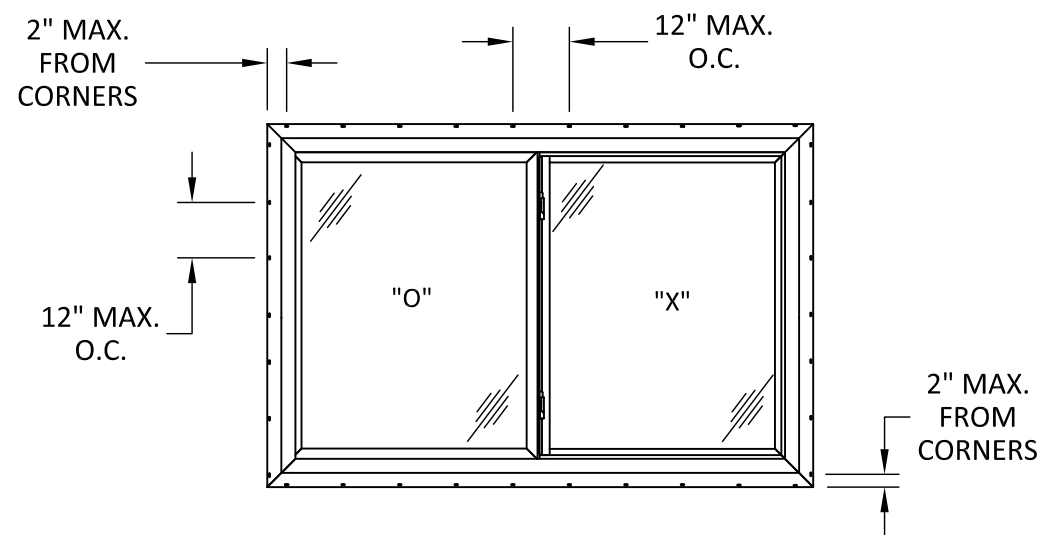
TITLE: **SERIES 31
 HORIZONTAL SLIDING WINDOW
 (NON-IMPACT) (NON-HVHZ)**
 ELEVATIONS AND ANCHOR LAYOUT

PREPARED BY: **BUILDING DROPS, INC.**
 398 E. DANIA BEACH BLVD., STE. 338
 DANIA BEACH, FL 33004
 PH: (954)399-8478
 FAX: (954)744-4738
 WEB: www.buildingdrops.com



ELEVATION

HORIZONTAL SLIDING WINDOW

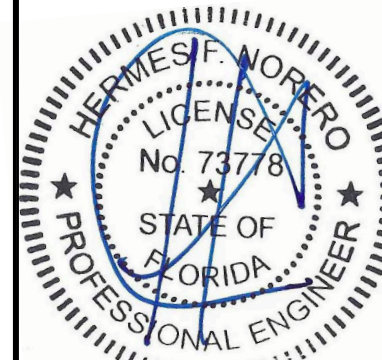


ANCHOR LAYOUT

NAIL FIN - HORIZONTAL SLIDING WINDOW

| REMARKS | BY | DATE |
|---------|----|------|
| | | |
| | | |
| | | |

THE INSTALLATION DETAILS DESCRIBED HEREIN ARE GENERIC AND MAY NOT REFLECT ACTUAL CONDITIONS FOR A SPECIFIC SITE. IF SITE CONDITIONS CAUSE INSTALLATION TO DEVIATE FROM THE REQUIREMENTS DETAILED HEREIN, A LICENSED ENGINEER OR ARCHITECT SHALL PREPARE SITE SPECIFIC DOCUMENTS FOR USE WITH THIS DOCUMENT.



HERMES F. NORERO, P.E.
 FLORIDA P.E. No. 73778
 BUILDING DROPS, INC
 398 E. DANIA BEACH BLVD. # 338
 DANIA BEACH, FL 33004
 FBPE CERT. OF AUTHORIZATION No. 29578

FL #: **FL28822**

DATE: **01.11.19**

DWG. BY: **HR**

CHK. BY: **HFN**

SCALE: **NTS**

DWG. #: **CRF021**

SHEET

2

OF 5

1/29/2019 3:25 PM

s:\projects\croft lic\lbc-19-0110 - series 30 fixed picture window - series 31 horizontal sliding window\dwgs\series 31\hscrd021.dwg



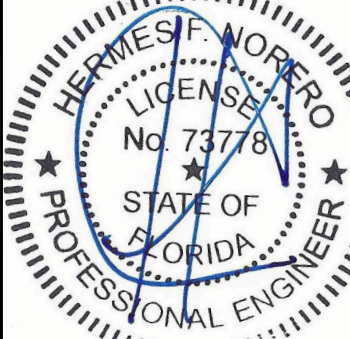
P.O. BOX 826
 MCCOMB, MS 39649
 PH.: 601-684-6121 FX: 601-783-3188

TITLE: **SERIES 31**
HORIZONTAL SLIDING WINDOW
(NON-IMPACT) (NON-HVHZ)
 HORIZONTAL SECTION

PREPARED BY: 
BUILDING DROPS, INC.
 398 E. DANIA BEACH BLVD., STE. 338
 DANIA BEACH, FL 33004
 PH: (954)399-8478
 FAX: (954)744-4738
 WEB: www.buildingdrops.com

| REMARKS | BY | DATE |
|---------|----|------|
| | | |
| | | |
| | | |

THE INSTALLATION DETAILS DESCRIBED HEREIN ARE GENERIC AND MAY NOT REFLECT ACTUAL CONDITIONS FOR A SPECIFIC SITE. IF SITE CONDITIONS CAUSE INSTALLATION TO DEVIATE FROM THE REQUIREMENTS DETAILED HEREIN, A LICENSED ENGINEER OR ARCHITECT SHALL PREPARE SITE SPECIFIC DOCUMENTS FOR USE WITH THIS DOCUMENT.



HERMES F. NORERO, P.E.
 FLORIDA P.E. No. 73778
 BUILDING DROPS, INC
 398 E. DANIA BEACH BLVD. # 338
 DANIA BEACH, FL 33004
 FBPE CERT. OF AUTHORIZATION No. 29578

FL #: **FL28822**

DATE: **01.11.19**

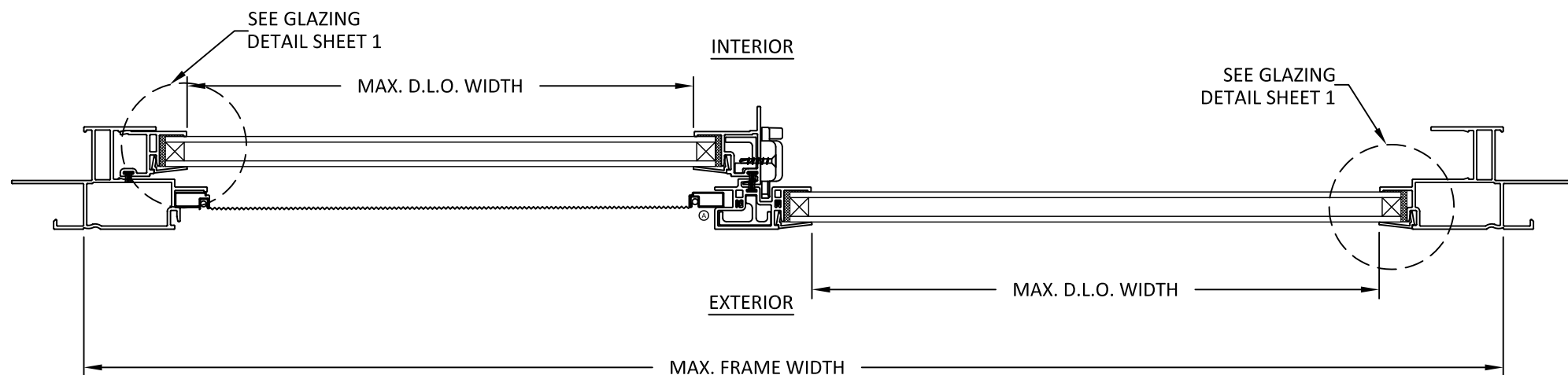
DWG. BY: **HR** CHK. BY: **HFN**

SCALE: **NTS**

DWG. #: **CRF021**

SHEET **4**

OF 5

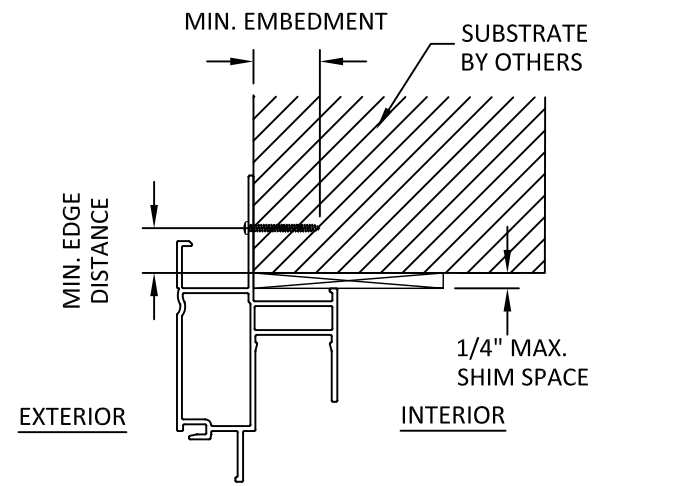


A
4 **HORIZONTAL SECTION**
 NAIL FIN INSTALLATION

s:\projects\croft lic\fbc-19-0110 - series 30 fixed picture window, series 31 horizontal sliding window\dwgs\series 31\hscrf021.dwg 1/29/2019 3:25 PM

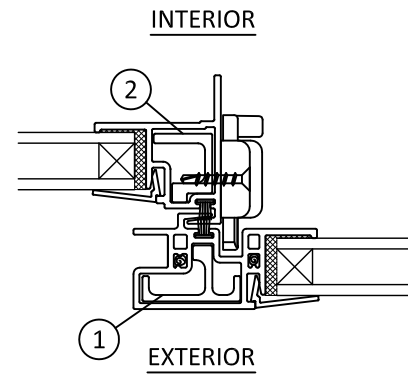
1/29/2019 3:25 PM

s:\projects\croft lic\lbc-19-0110 - series 31 fixed picture window, series 31 horizontal sliding window, series 31 hcr021.dwg



A
5 **VERTICAL SECTION**
NAIL FIN (HEAD)

JAMB AND SILL HAVE SIMILAR PROFILES



B
5 **HORIZONTAL SECTION**
INTERLOCK

REINFORCEMENT DETAILS



1 INTERLOCK REINF. ALUM 6005-T5

2 INTERLOCK REINF. ALUM 6005-T5

INSTALLATION NOTES:

1. ONE (1) INSTALLATION ANCHOR IS REQUIRED AT EACH ANCHOR LOCATION SHOWN.
2. THE NUMBER OF INSTALLATION ANCHORS DEPICTED IS THE MINIMUM NUMBER OF ANCHORS TO BE USED FOR PRODUCT INSTALLATION OF THE MAXIMUM SIZE LISTED.
3. INSTALL INDIVIDUAL INSTALLATION ANCHORS WITHIN A TOLERANCE OF ±1/2 INCH THE DEPICTED LOCATION & SPACING IN THE ANCHOR LAYOUT DETAILS (I.E., WITHOUT CONSIDERATION OF TOLERANCES). TOLERANCES ARE NOT CUMULATIVE FROM ONE INSTALLATION ANCHOR TO THE NEXT.
4. SHIM AS REQUIRED WITH LOAD BEARING SHIM(S) TO ACHIEVE A SQUARE AND PLUMB INSTALLATION. MAXIMUM ALLOWABLE SHIM STACK TO BE 1/4 INCH. SHIM WHERE SPACE OF 1/16 INCH OR GREATER OCCURS. SHIM(S) SHALL BE CONSTRUCTED OF HIGH DENSITY PLASTIC OR BETTER.
5. MINIMUM EMBEDMENT AND EDGE DISTANCE EXCLUDE WALL FINISHES, INCLUDING BUT NOT LIMITED TO STUCCO, FOAM, BRICK VENEER, AND SIDING.
6. INSTALLATION ANCHORS AND ASSOCIATED HARDWARE MUST BE MADE OF CORROSION RESISTANT MATERIAL OR HAVE A CORROSION RESISTANT COATING.
7. INSTALLATION ANCHORS SHALL BE INSTALLED IN ACCORDANCE WITH ANCHOR MANUFACTURER'S INSTALLATION INSTRUCTIONS, AND ANCHORS SHALL NOT BE USED IN SUBSTRATES WITH STRENGTHS LESS THAN THE MINIMUM STRENGTH SPECIFIED BY THE ANCHOR MANUFACTURER.

ANCHOR SCHEDULE

| METHOD | SUBSTRATE | ANCHOR SCHEDULE | MIN EMBEDMENT | MIN. EDGE DISTANCE |
|-------------|--|------------------------|--|--------------------|
| NAILING FIN | WOOD: MIN. SG = 0.55 | #8 WOOD SCREW PAN HEAD | 1.5" | 0.75" |
| | METAL: 18 GAUGE Steel, MIN. Fy = 33KSI | #8 TEK SCREW | 3 THREADS MIN PENETRATION BEYOND METAL | 0.50" |



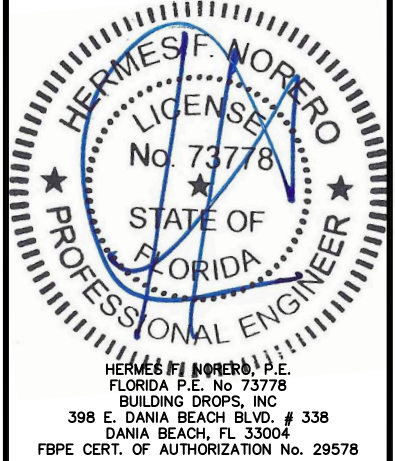
P.O. BOX 826
MCCOMB, MS 39649
PH.: 601-684-6121 FX: 601-783-3188

TITLE: **SERIES 31 HORIZONTAL SLIDING WINDOW (NON-IMPACT) (NON-HVHZ) ANCHOR DETAILS, INSTALLATION NOTES & REINFORCEMENT DETAILS**

PREPARED BY: **BUILDING DROPS, INC.**
398 E. DANIA BEACH BLVD., STE. 338
DANIA BEACH, FL 33004
PH: (954)399-8478
FAX: (954)744-4738
WEB: www.buildingdrops.com

| REMARKS | BY | DATE |
|---------|----|------|
| | | |
| | | |
| | | |

THE INSTALLATION DETAILS DESCRIBED HEREIN ARE GENERIC AND MAY NOT REFLECT ACTUAL CONDITIONS FOR A SPECIFIC SITE. IF SITE CONDITIONS CAUSE INSTALLATION TO DEVIATE FROM THE REQUIREMENTS DETAILED HEREIN, A LICENSED ENGINEER OR ARCHITECT SHALL PREPARE SITE SPECIFIC DOCUMENTS FOR USE WITH THIS DOCUMENT.



FL #: **FL28822**
DATE: **01.11.19**
DWG. BY: **HR** CHK. BY: **HFN**
SCALE: **NTS**
DWG. #: **CRF021**
SHEET